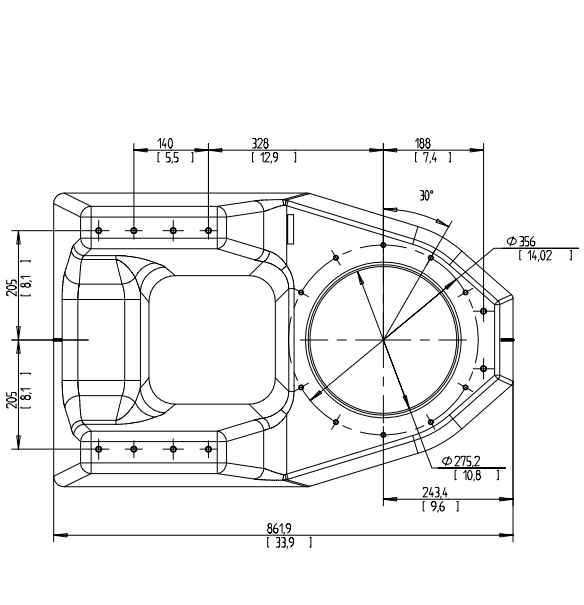
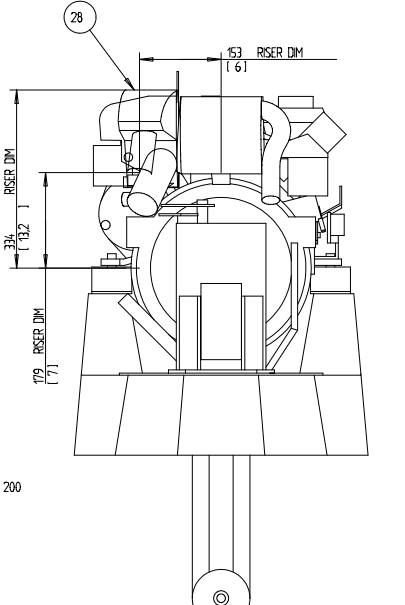
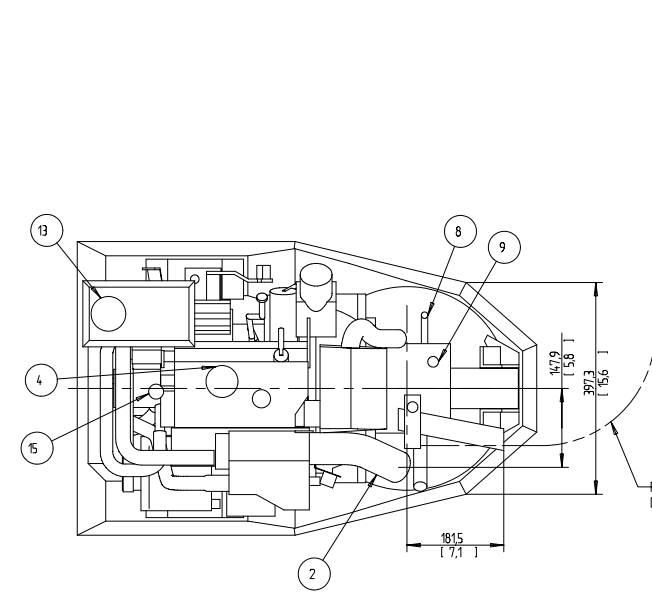
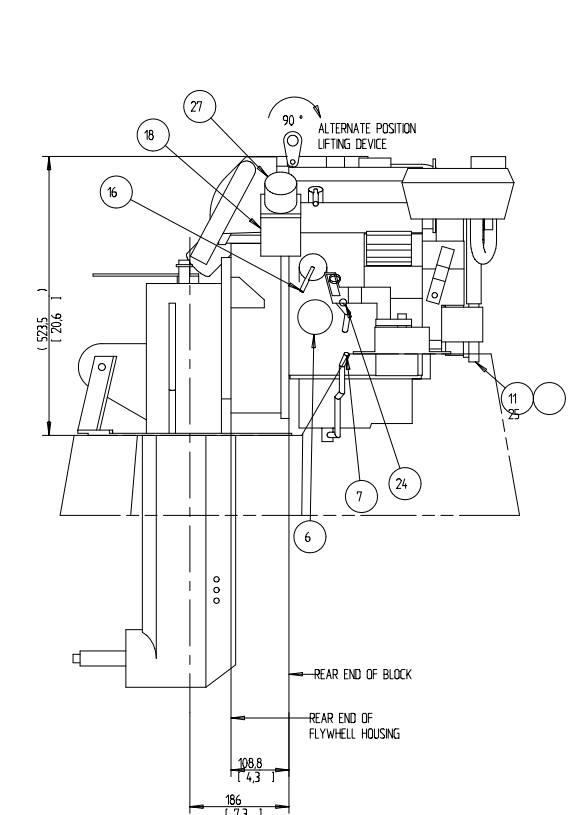
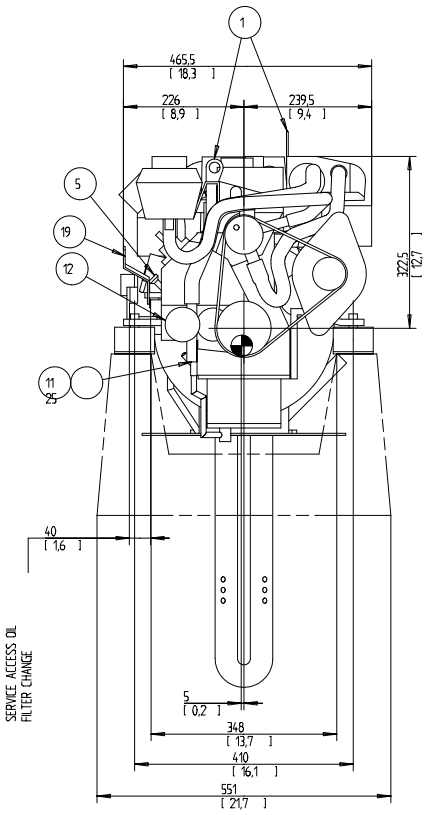
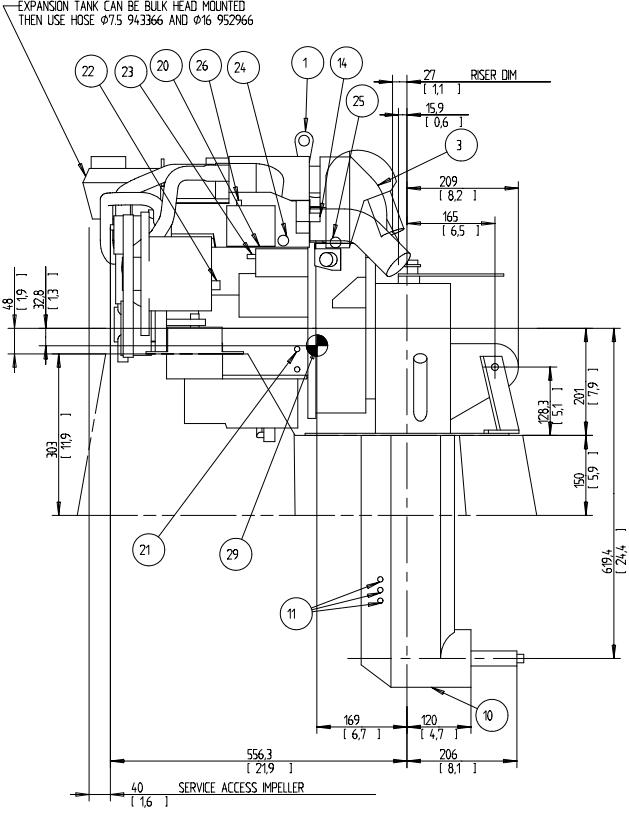


EXPANSION TANK CAN BE BULK HEAD MOUNTED
THEN USE HOSE Ø75 943366 AND Ø16 952966



SCALE 1:5
 OIL CAPACITY INCLUDING OIL FILTER: 2.8 LITERS
 FRESHWATER SYSTEM CAPACITY: 3.0 LITERS
 WEIGHTS:
 DRY 144 kg
 OIL & WATER 151 kg
 DIMENSION IN MILLIMETRES AND (INCHES)

NR	ITEM
1	LIFTING DEVICE
2	EXHAUST ELBOW FOR HOSE ID 45(175)
3	AIR FILTER (SILENCER)
4	OIL FILLING
5	OIL DIPSTICK ENGINE
6	OIL FILTER
7	OIL DRAIN (WITH PUMP) ENGINE ID 8 (10.35)
8	OIL DIPSTICK REVERSE GEAR
9	OIL FILLER CAP REVERSE GEAR
10	OIL DRAIN REVERSE GEAR
11	SEAWATER INLET FOR HOSE ID 19(0.75)
12	SEA WATER PUMP
13	WATER FILLER CAP FRESH WATER
14	HOTWATER OUTLET
15	HOTWATER INLET
16	FUEL CONNECTION FOR HOSE ID 10 (13/8)
17	FUEL RETURN CONNECTION FOR HOSE ID 10 (13/8)
18	FUEL FILTER
19	SPEED CONTROL LEVER
20	CONNECTION BOX FOR EXTENSION CABLE
21	BATTERY MINUS (-) CONNECTION
22	PLUS (+) CONNECTION FOR CHARGING DISTRIBUTOR
23	STARTER BATTERY PLUS (+) CONNECTION
24	WATER DRAIN FRESH WATER
25	WATER DRAIN SEAWATER
26	AUTOMATIC FUSE RESET
27	HAND PRIMER PUMP
28	RISER (OPTIONAL)
29	CENTRE OF GRAVITY

VOLVO PENTA The copying, adaptation and alteration of this document as well as the construction of its contents to other units and systems for purposes of change, or repair, maintenance or the like, shall be at the customer's risk and is not covered by this document.		PENTACORP DESIGN AND GENERAL DRAWING METHODS STD 00-000 AND STD 002960
VOLVO PENTA		ENGINE DIMENSIONS D1-20/130S
DIMENSION DRAWING		Drawing No 3591389
Drawing No 3591389		Sheet No 101