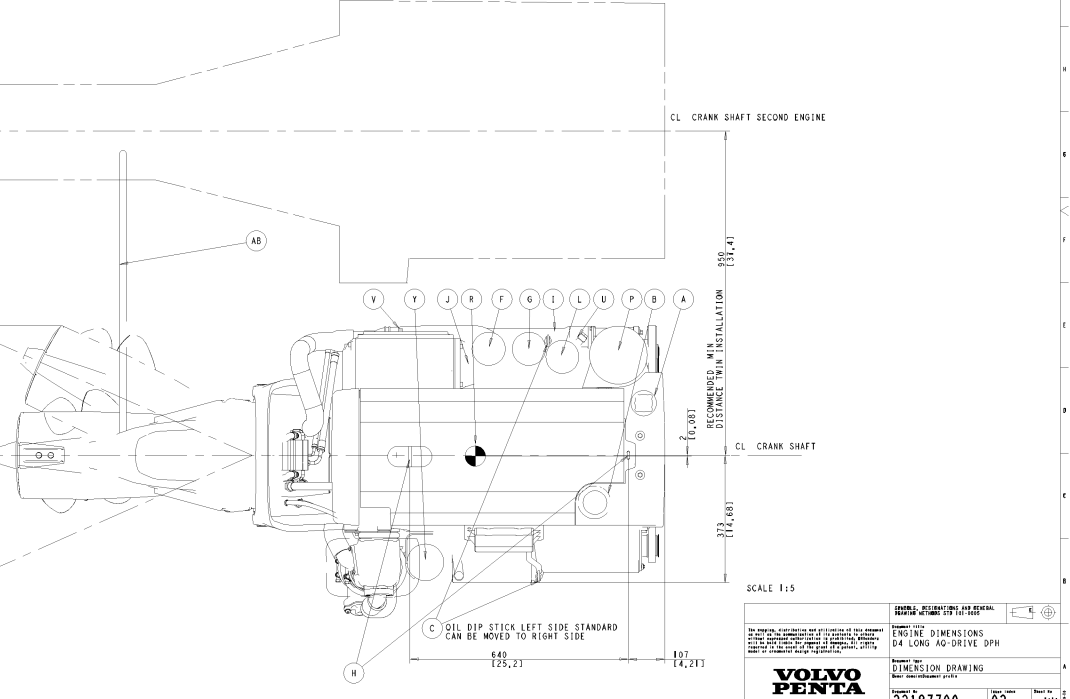
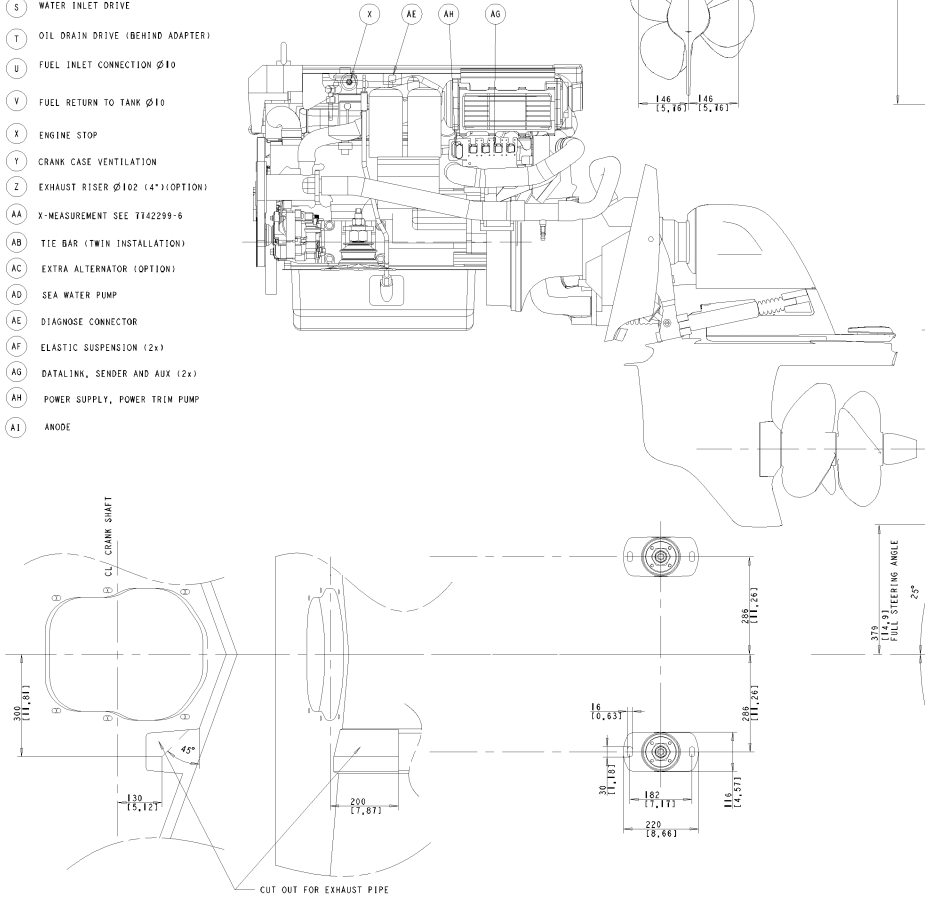
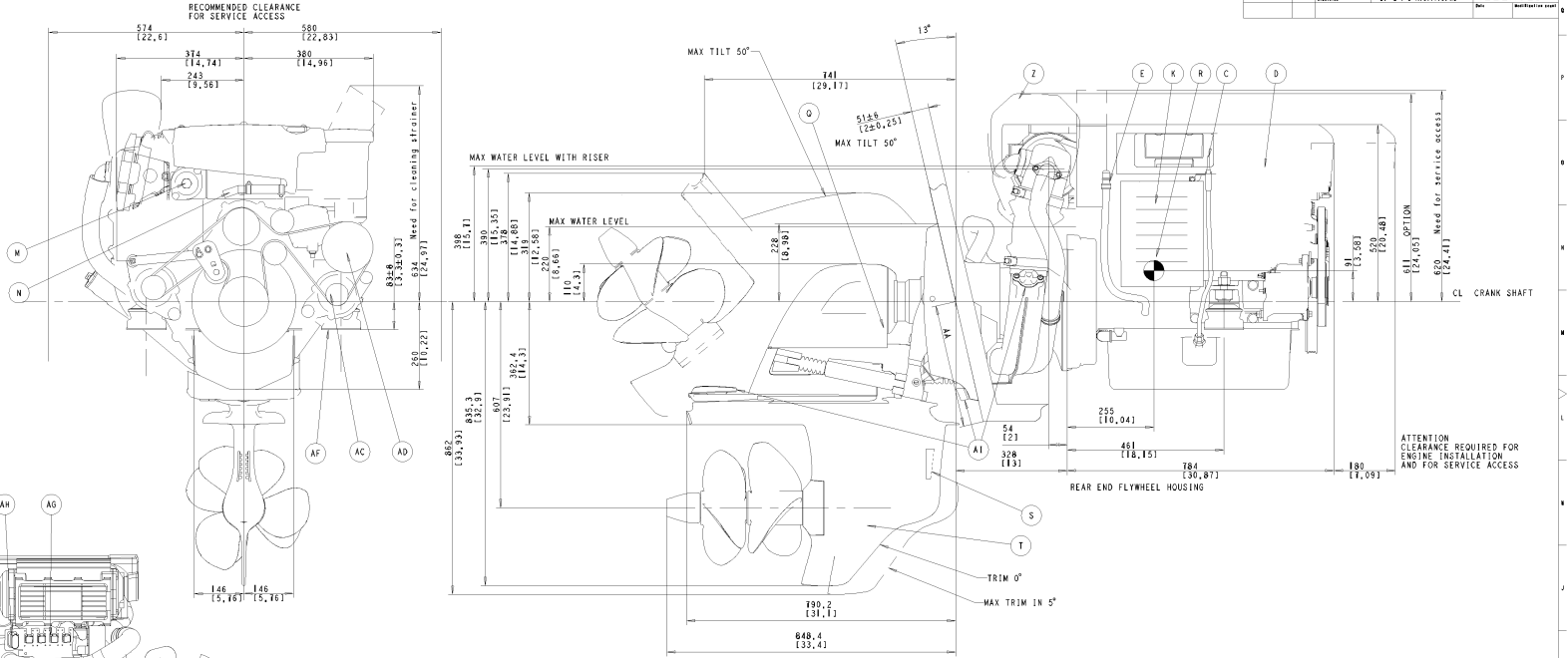


- A WATER FILLER CAP, FRESH WATER
- B OIL FILLER CAP, ENGINE
- C OIL DIP STICK, ENGINE LEFT OR RIGHT SIDE MOUNTED
- D ECU CONTROL UNIT
- E OIL DRAIN (WITH PIPE), ENGINE Ø12.5
- F OIL FILTER MAIN
- G OIL FILTER BYPASS
- H LIFTING EYE
- I WATER DRAIN, FRESH WATER
- J WATER DRAIN, SEA WATER
- K AIR FILTER
- L FUEL FILTER
- M HOT WATER OUTLET Ø16
- N HOT WATER INLET Ø16
- P STRAINER SEA WATER
- Q OIL DIP STICK DRIVE (UNDER COVER)
- R CENTRE OF GRAVITY
- S WATER INLET DRIVE
- T OIL DRAIN DRIVE (BEHIND ADAPTER)
- U FUEL INLET CONNECTION Ø10
- V FUEL RETURN TO TANK Ø10
- X ENGINE STOP
- Y CRANK CASE VENTILATION
- Z EXHAUST RISER Ø102 (4") OPTION
- AA X-MEASUREMENT SEE 7742299-6
- AB TIE BAR (TWIN INSTALLATION)
- AC EXTRA ALTERNATOR (OPTION)
- AD SEA WATER PUMP
- AE DIAGNOSE CONNECTOR
- AF ELASTIC SUSPENSION (2x)
- AG DATALINK, SENDER AND AUX (2x)
- AH POWER SUPPLY, POWER TRIM PUMP
- A1 ANODE



SCALE 1:5

VOLVO PENTA

Part No. 22187799
 Issue No. 02
 Issue Date 11/11

ENGINE DIMENSIONS
 D4 LONG AO-DRIVE OPH

REVISIONS

| Rev | Date | Description |
|-----|------|-------------|
| 01 | | |
| 02 | | |